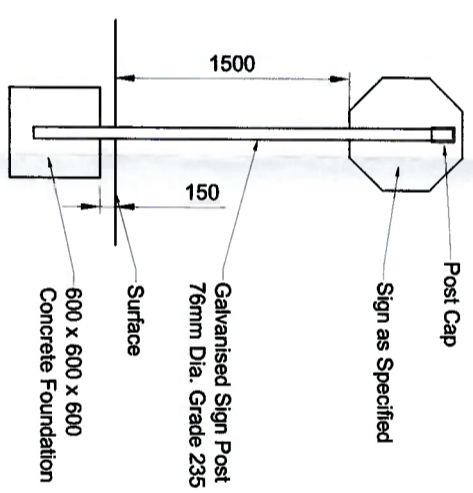


ACCESS ROAD TYPICAL SECTION
SCALE 1:50



ROAD SIGN DETAILS
SCALE 1:50

AN COIMISIÚN PLEANÁLA
 04 FEB 2026
 LTR DATED _____ FROM _____
 LDG- 320916-24
 ACP-

NOTES:
 1 FIGURED DIMENSIONS ONLY TO BE TAKEN FROM THIS DRAWING.
 2 THIS DRAWING TO BE READ IN CONJUNCTION WITH ALL OTHER RELEVANT DRAWINGS AND SPECIFICATIONS.

Rev.	Modifications	By	Date
P01	FI RESPONSE	SK	FEB 26

© COPYRIGHT OF

HALSTON
 IHUB BUILDING
 WESTPORT ROAD
 CASTLEBAR
 CO. MAYO.
 F23 K162
 Email: info@halston.ie
 Tel: 094 9010111

Client	COOLPOWRA FLEXGEN LIMITED	Drawn	SK	Checked	WD	Approved	CS
Project	COOLPOWRA	Date	NOV 2025	Scales	AS SHOWN	Sheet	1 of 1
Title	ACCESS ROAD TYPICAL DETAILS	Job No.	SEP-0398	Sheet Size	A3	Status	
Stage	PLANNING	Dwg. No.	CPA-HAL-NR-XX-PL-4000	Rev	P01		